

Nuheat Thermostat Wiring: 120V/240V

FOR DUAL VOLTAGE HARMONY THERMOSTAT

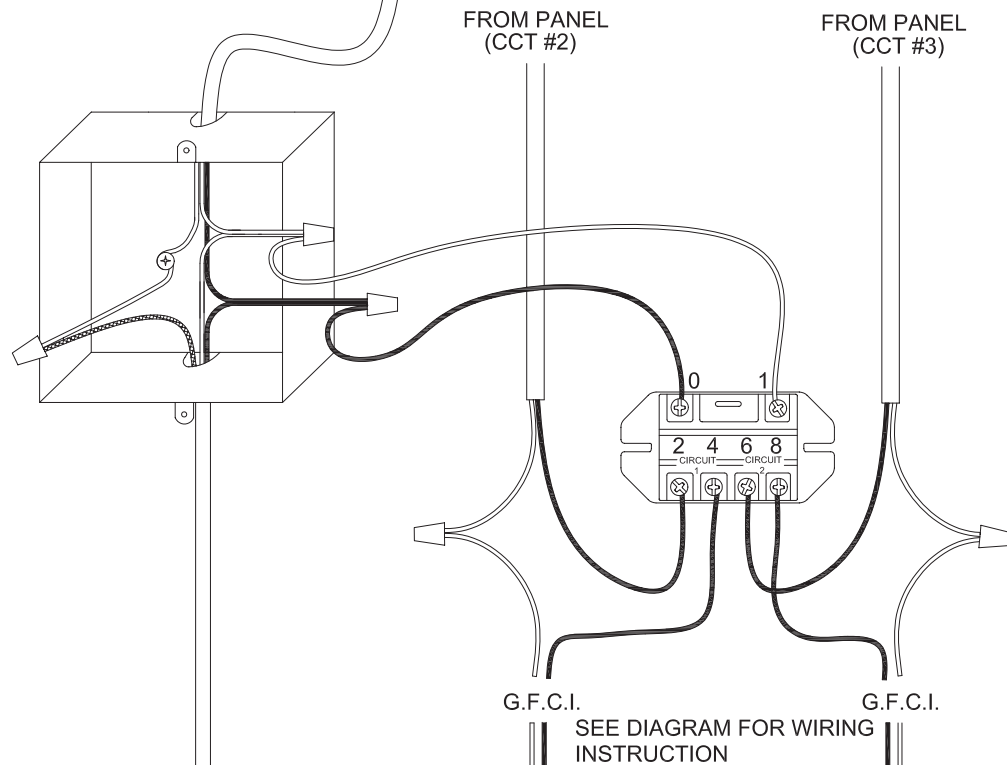
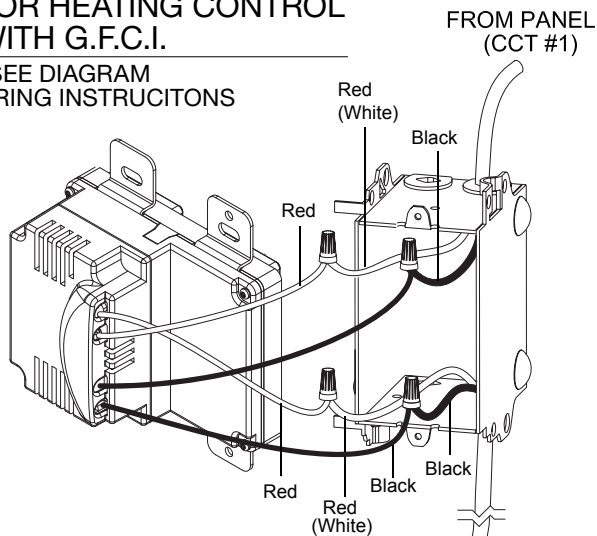
Revised June 2011

RELAY SWITCH OR CONTACTOR FOR 120V

This switch allows you to control multiple circuits with a single control. It may be conveniently located inside an electrical junction box.

NUHEAT FLOOR HEATING CONTROL WITH G.F.C.I.

SEE DIAGRAM FOR WIRING INSTRUCTIONS



WIRING INSTRUCTIONS FOR RELAY (120V)

- 0 - LINE 1 FROM CONTROL
 - 1 - NEUTRAL WIRE FROM CONTROL
 - 2 - LINE 1 FEED FROM PANEL (CCT #2)
 - 6 - LINE 2 FEED FROM PANEL (CCT #3)
 - 4 - LINE 1 TO NUHEAT (BLACK)
 - 8 - LINE 2 TO NUHEAT (BLACK)
- NOTE: DO NOT CONNECT NEUTRAL WIRES FROM DIFFERENT CIRCUITS TOGETHER

Nuheat Industries Ltd. assumes no responsibility for field wiring. Please consult a certified electrician for further instruction if needed. Wiring must be in accordance with national and local electrical codes. Wiring methods may differ for each control, please consult manufacturer's instructions for actual specifications.